

## BrackIT<sup>®</sup> Stand low tilt

### Mobile display cart

The BrackIT<sup>®</sup> Stand low tilt is a mobile display cart for screens with 32 - 55" | 81 - 140 cm screen diagonal.

A VESA universal mount up to a maximum of VESA 400 x 400 mm is included. The mount can be locked, if desired. The screen is mounted in landscape format.

The height of the system is 493 mm, but this only applies to screens with a centered hole pattern. In case of a decentralized VESA arrangement, a compensating adapter must be used, which you can find in our portfolio.

Thanks to the rotary handles on the side, the tilt angle of the screen can be continuously adjusted and fixed from 0 to 90° with tools.

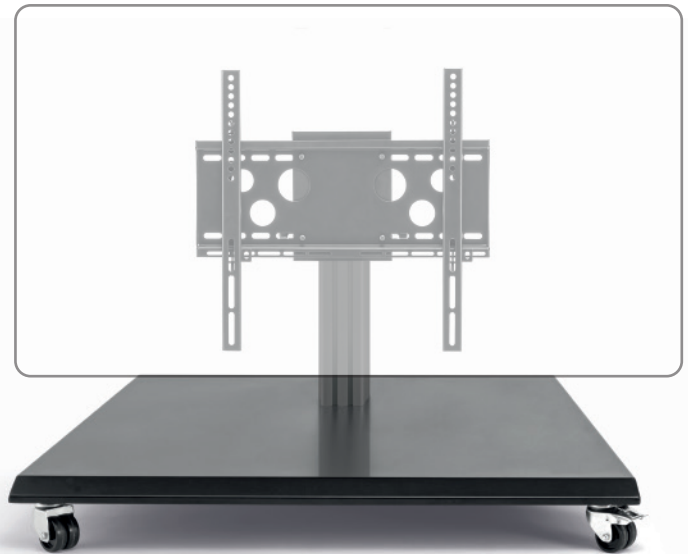
**Item no.: 8225**

The stable castors of the display cart are equipped with lock-type brakes and offer a safe stand at the desired location.

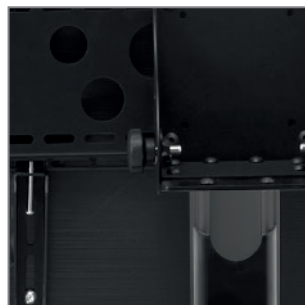
A cable cover on the back of the column keeps the cables neatly together and ensures a clean appearance.

The surfaces are finished with an impact- and scratch-resistant powder coating in black.

The maximum load is 30 kg.



cable clips on the back



continuously tiltable via rotary handle on the side



castors with lock-type brake



0 to 90° tilt angle

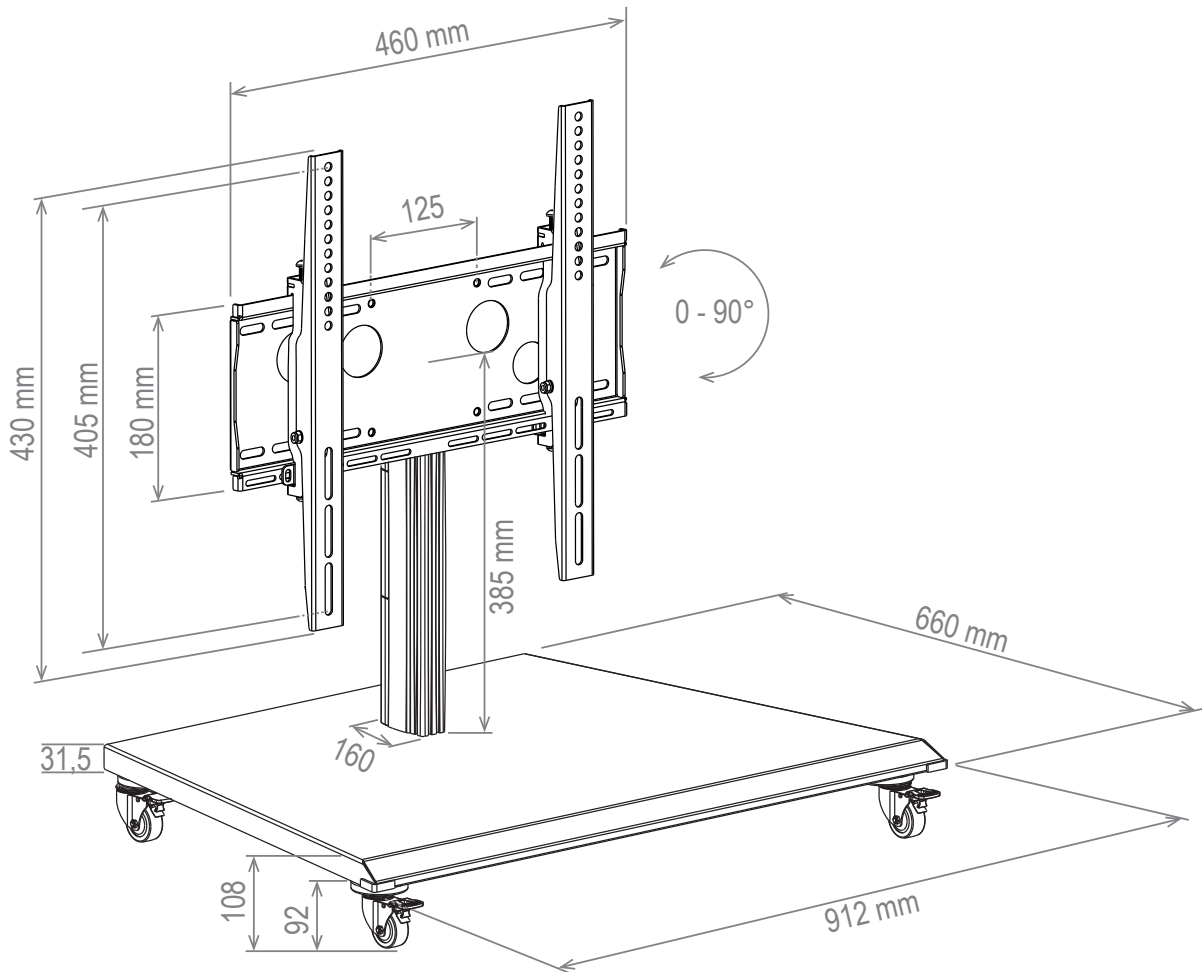
Technical changes reserved.

## BrackIT<sup>®</sup> Stand low tilt

### Mobile display cart

Item no.: 8225

- 32 - 55" | 81 - 140 cm
- installation in landscape format
- max. VESA 400 x 400 mm
- mount can be locked, if desired
- screen continuously tiltable with tools from 0 to 90° by means of a rotary handle on the side
- castors with lock-type brake
- incl. cable clips on the back for a clean appearance
- 493 mm height (centre of screen), with centered hole pattern
- colour: black
- 30 kg max. load
- for decentralized VESA arrangements, adapter plates are available for adjustment, e.g. for
  - Samsung QB-, QH-, QM-series 32 - 43" (Item no.: 2289)
  - Samsung QB-, QH-, QM-series 49 - 65" (Item no.: 2280)



\*The specified height only applies if the hole pattern of the screen is centered. Adapter plates are required for decentralized VESA arrangements. | Technical changes reserved.